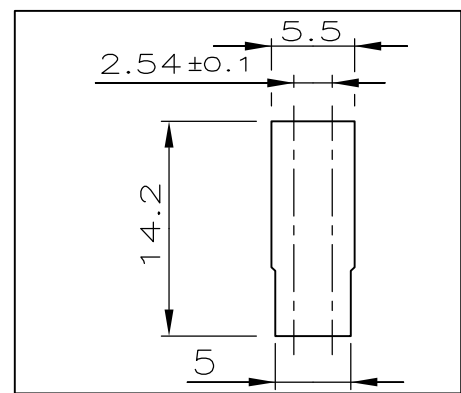


THIS DRAWING IS UNPUBLISHED. RELEASED FOR PUBLICATION
 © COPYRIGHT - By - ALL RIGHTS RESERVED.

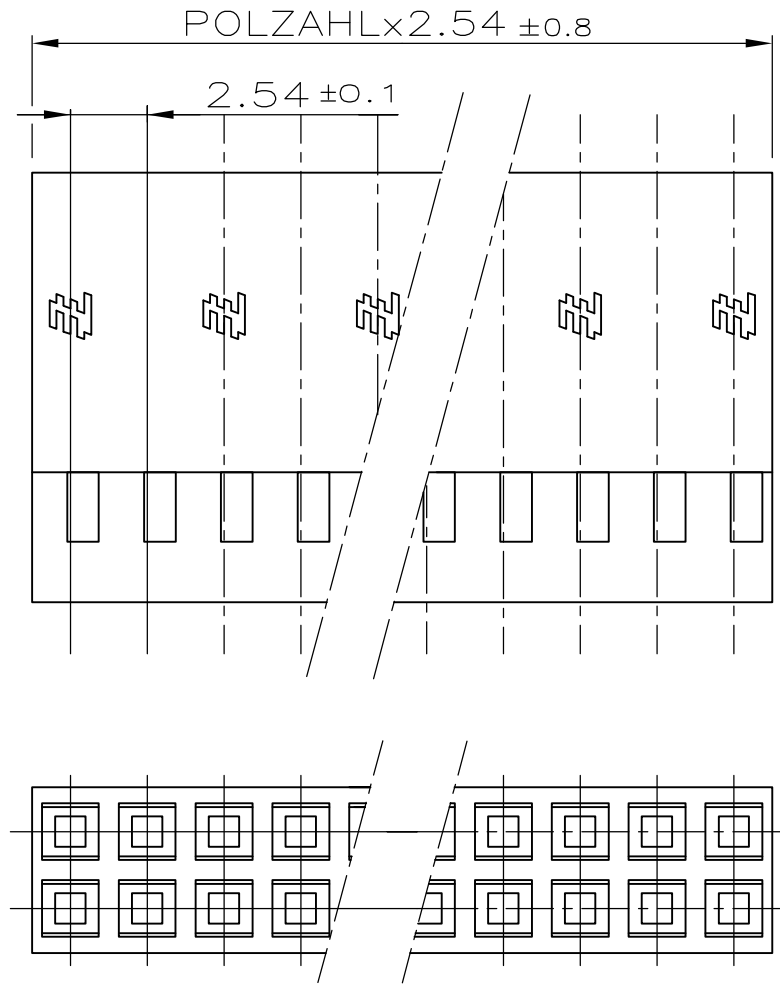
LOC	DIST	REVISIONS			
P	LTR	DESCRIPTION	DATE	DWN	APVD
		Z1 LOGO DETAILS UPDATE	01OCT2012	SP	RP

GEGENSTECKER/KONTAKT:
 MATED WITH: 826 632 167 301-4
 NUMBER 925367
 VERWENDET FÜR E 92-9802
 WAR NR. -



ZWEIREIHIG

POLZ. PRO REIHE	L ± 0.8	BESTELL-NR.	
-	-	-	
2	5.08	925 367 -2	
3	7.62		
4	10.16		
5	12.70		
6	15.24		
7	17.78		
8	20.32		
9	22.86		OBSOLETE
10	25.40	1-	-0
11	27.94	-1	-1
12	30.48	1-	-2
13	33.02	-1	-3
14	35.56	-1	-4
15	38.10	-1	-5
16	40.64	-1	-6
17	43.18	1-	-7
18	45.72	1-	-8
19	48.26	-1	-9
20	50.80	2-	-0
21	53.34	-2	-1
22	55.88	2-	-2
23	58.42	-2	-3
24	60.96	-2	-4
25	63.50	-2	-5
26	66.04	-2	-6
27	68.58	-2	-7
28	71.12	-2	-8
29	73.66	-2	-9
30	76.20	3-	-0
31	78.74	-3	-1
32	81.28	-3	-2
33	83.82	-3	-3
34	86.36	-3	-4
35	88.90	-3	-5
36	91.44	-3	-6
37	93.98	-3	-7
38	96.52	-3	-8
39	99.06	-3	-9
40	101.60	-4	-0
41	104.14	-4	-1
42	106.68	-4	-2
43	109.22	-4	-3
44	111.76	-4	-4
45	114.30	-4	-5
46	116.84	-4	-6
47	119.38	-4	-7
48	121.92	-4	-8
49	124.46	-4	-9
50	127.00	5- 925 367 -0	



1 OBSOLETE PARTS: OBSOLETE CIS STREAMLINING PER D.RENAUD/D.SINISI

ZEICHNUNG GÜLTIG AB KW 32./95

polyamid	GRÜN RAL 6011
WERKSTOFF	OBERFLÄCHE
	FARBE

THIS DRAWING IS A CONTROLLED DOCUMENT.		DWN DAHLHEIMER 05.12.75												
DIMENSIONS: mm		CHK KREPP												
TOLERANCES UNLESS OTHERWISE SPECIFIED: ±0.2mm		APVD												
<table border="0"> <tr><td>0 PLC</td><td>± -</td></tr> <tr><td>1 PLC</td><td>± -</td></tr> <tr><td>2 PLC</td><td>± -</td></tr> <tr><td>3 PLC</td><td>± -</td></tr> <tr><td>4 PLC</td><td>± -</td></tr> <tr><td>ANGLES</td><td>± -</td></tr> </table>		0 PLC	± -	1 PLC	± -	2 PLC	± -	3 PLC	± -	4 PLC	± -	ANGLES	± -	NAME
0 PLC	± -													
1 PLC	± -													
2 PLC	± -													
3 PLC	± -													
4 PLC	± -													
ANGLES	± -													
MATERIAL -		PRODUCT SPEC												
FINISH -		APPLICATION SPEC												
		WEIGHT -												
		RESTRICTED TO -												



AMPMODU IV GEHAEUSE ZWEIREIHIG

SIZE	CAGE CODE	DRAWING NO	RESTRICTED TO
A3	00779	C-925367	-
CUSTOMER DRAWING		SCALE 2:1	SHEET 1 OF 1
		REV Z1	